

Protistor® size 2x72 aR

1200VDC

SEMICONDUCTOR PROTECTION FUSES

SQUARE BODY HIGH-SPEED FUSE-LINKS DC PROTECTION



Mersen DC offers provide a very high performant protection for railway power and auxiliary circuits. Mersen DC Semiconductor fuse-links were developed to provide improved performance required by today's new DC equipment. These fuse-links are typically operated at more elevated temperature than other fuse type, have lower I^2t to minimize damage to protected components on short circuits, lower watt loss and longer life.

TECHNICAL DATA OVERVIEW

Voltage DC	1200 VDC
Ampere Range (A)	500 ... 840 A
Speed/Characteristic	aR
Product Size	2x72
Package	1
Weight	2.4 kg

FEATURES & BENEFITS

- Low I^2t for improved semiconductor protection
- Extremely fast acting
- Excellent cycling capability

APPLICATIONS

- Protection of inverters
- Protection of motor drives
- Protection of UPS systems
- Protection of similar 1200V or less equipments
- Railway power and auxiliary circuits

STANDARDS

- IEC 60269-4 Compliance

Protistor® size 2x72 aR

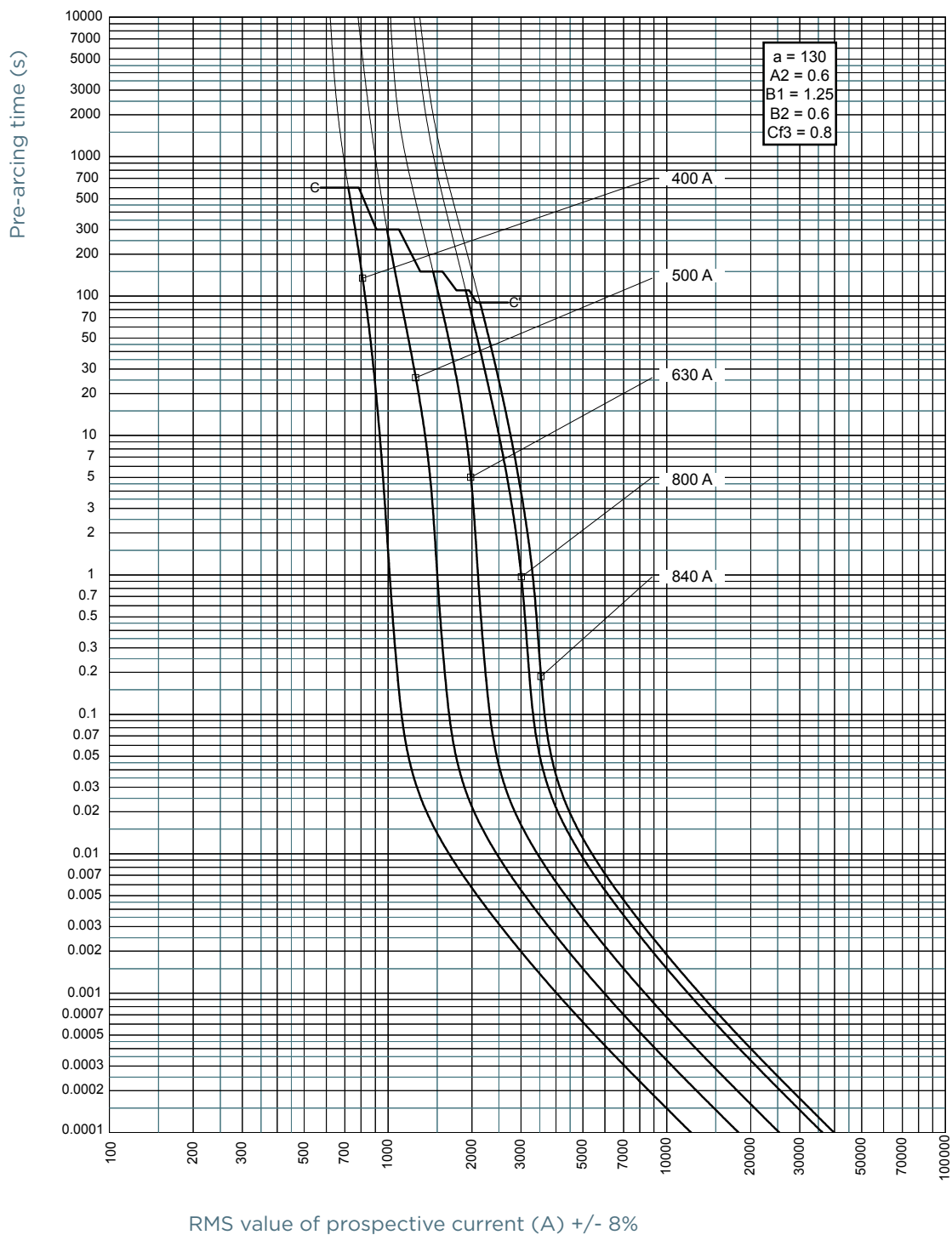
1200VDC

PRODUCT RANGE

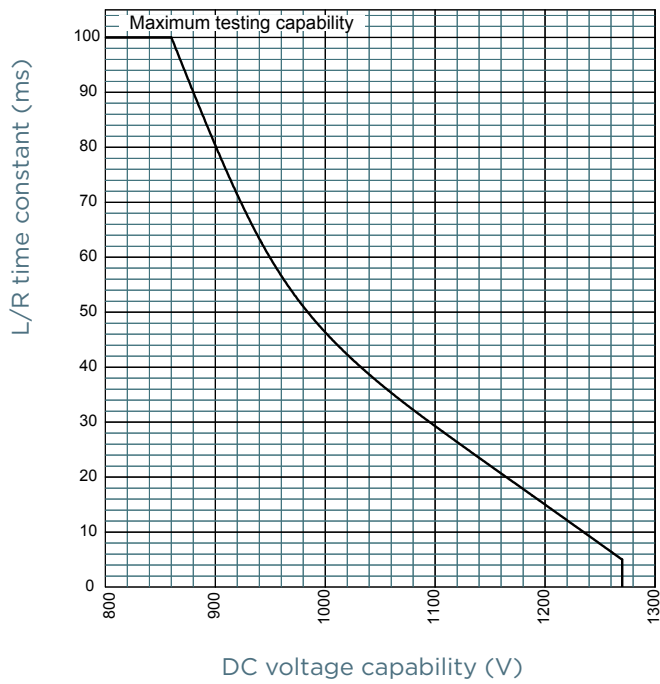
Size 2x72 SR 1200VDC

Catalog number	Item number	Rated current I_n	Rated breaking capacity DC	Power dissipation at 0.8 I_n	Power dissipation at I_n	Max. total I^2t @1000V for L/R=45ms	Max. total I^2t @1000V for L/R=15ms
D272SG120V400QF	S077963	400 A	100 kA	110 W	185 W	140 kA ² s	82 kA ² s
D272SG120V500QF	P077983	500 A	100 kA	120 W	202 W	310 kA ² s	180 kA ² s
D272SG120V630QF	F079447	630 A	100 kA	126 W	230 W	610 kA ² s	360 kA ² s
D272SG120V800QF	G079448	800 A	100 kA	139 W	270 W	1250 kA ² s	728 kA ² s
D272SG120V840QF	H079449	840 A	100 kA	142 W	275 W	1530 kA ² s	880 kA ² s

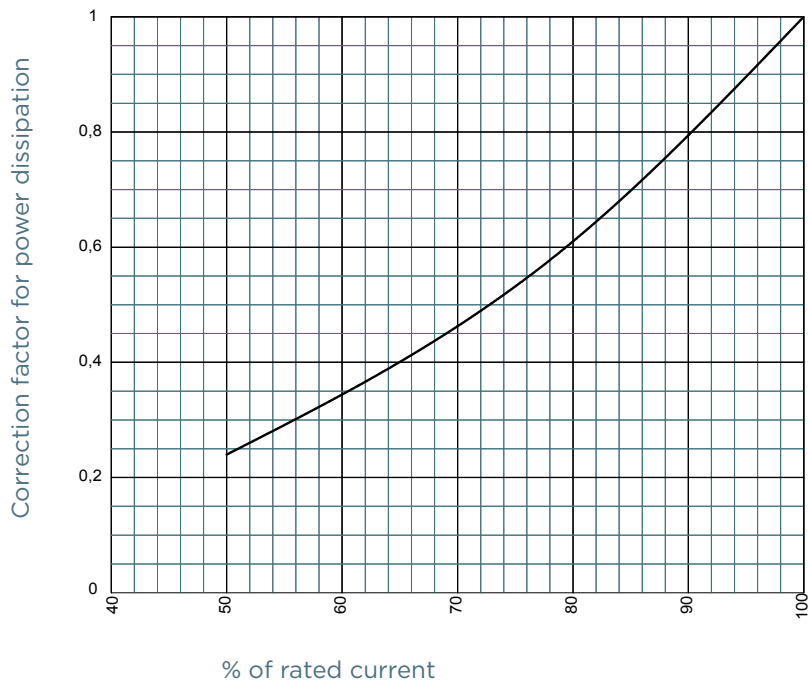
TIME CURRENT CHARACTERISTIC CURVES



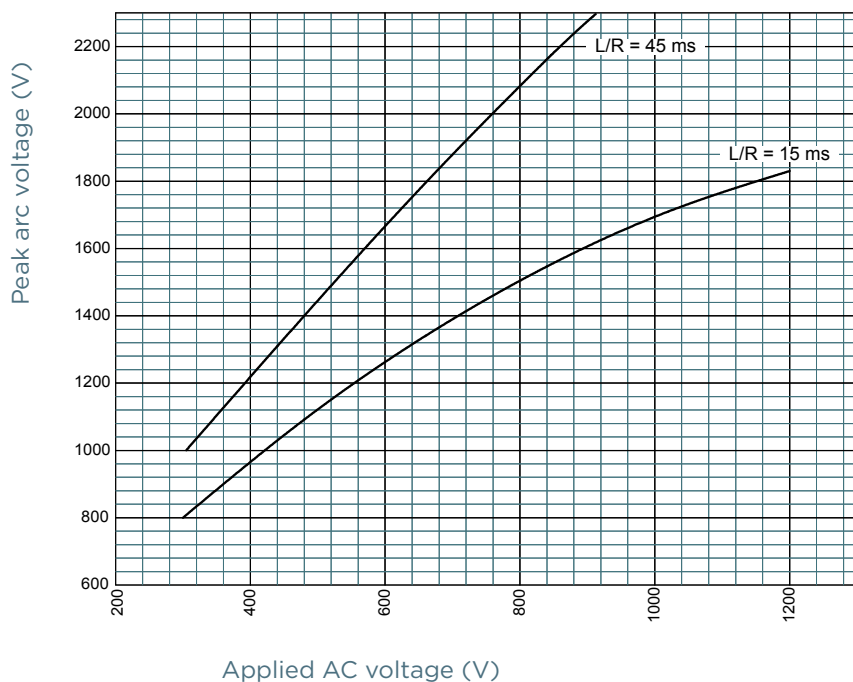
L/R TIME CONSTANT VS DC VOLTAGE CAPABILITY



POWER DISSIPATION



PEAK ARC VOLTAGE

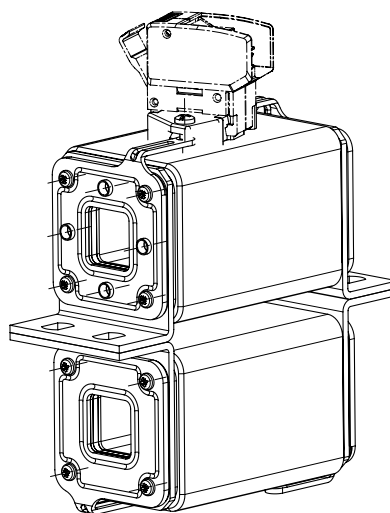
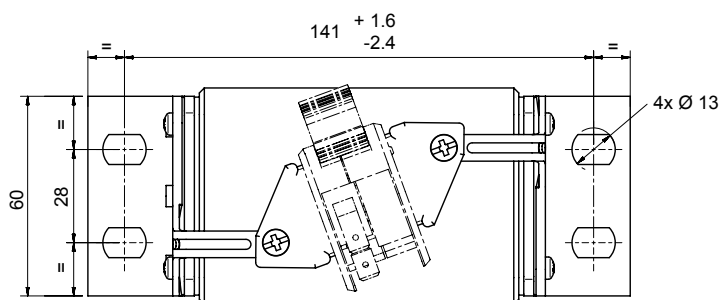
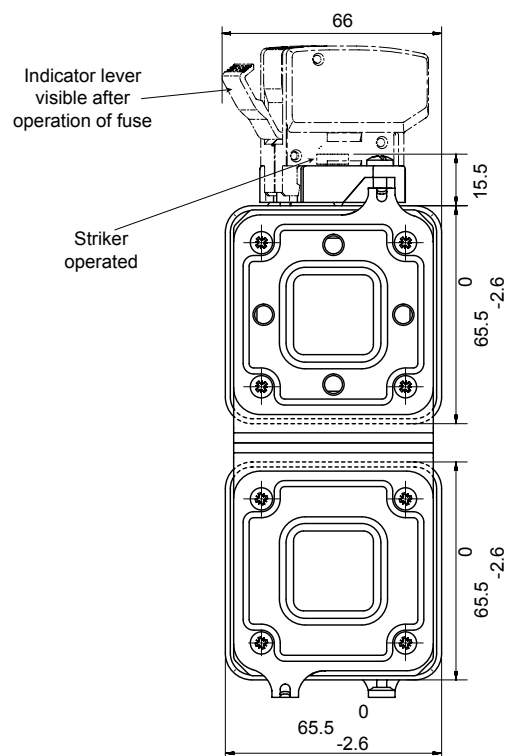
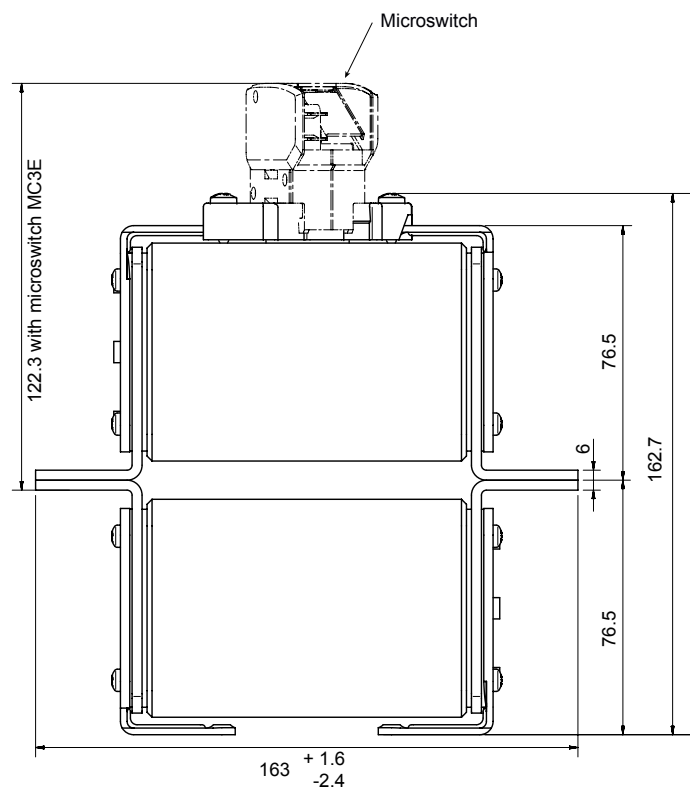


Protistor® size 2x72 aR

1200VDC

DIMENSIONS

Size 2x72 SR 1200VDC



Dimensions in mm